

AORB

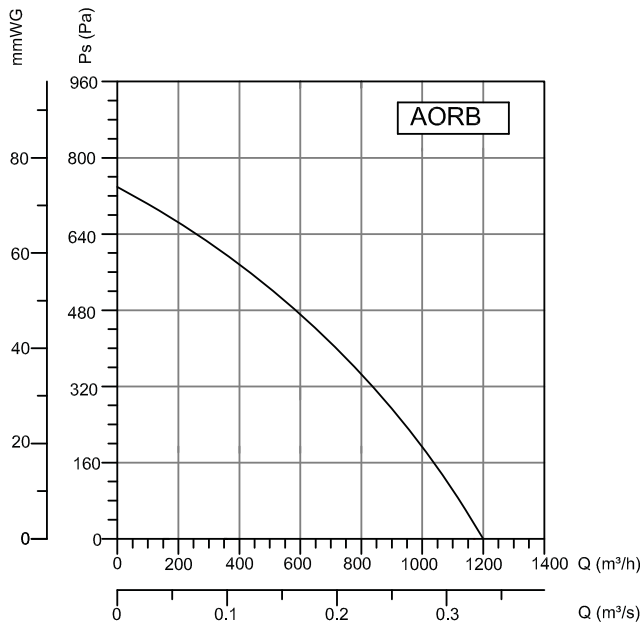
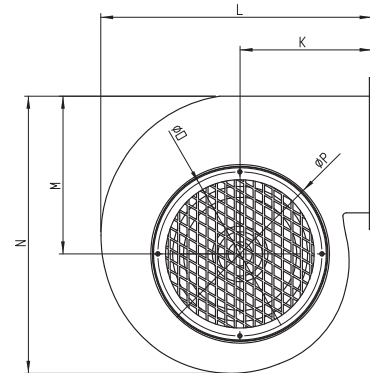
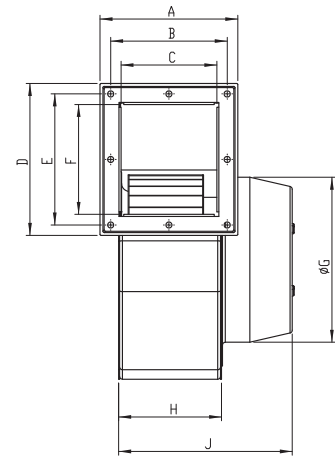
AC DIRECT DRIVE CENTRIFUGAL BLOWER Metal Body

AORB fan's compact structure benefits space saving for various cooling and ventilation applications.



- MATERIAL** : Casing is made of electrostatic sheet metal, impeller is made of forward curved galvanized sheet metal.
- INSULATION CLASS** : Class B
- DIRECTIVE** : EN 60335-1, EN 60335-2-80
- SPEED CONTROL** : Speed can be adjusted using an optional controller.
- APPLICATION AREAS** : The AORB centrifugal fan is perfect for use in industrial and commercial environments, mainly for local cooling applications, blowing in heating systems etc.

Technical Drawings



TYPE	VOLTAGE	FREQUENCY	POWER	CURRENT	CAPACITOR	SPEED	AIR FLOW	SOUND PRESSURE LEVEL	WEIGHT
	V	Hz	W	(A)	(µF)	d/d	m³/h	dB(A)	kg
AORB	230	50	605	2,8	8	2750	1200	70	8

TYPE	A	B	C	D	E	F	G	H	J	K	L	M	N	O	P
AORB	150	125	105	163	139	120	174	109	185	142	290	170	298	143	186

Accessories



BSC

Dimensions are in (mm)